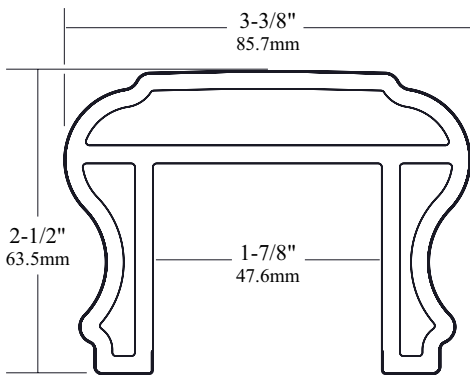


Top Rail Profile



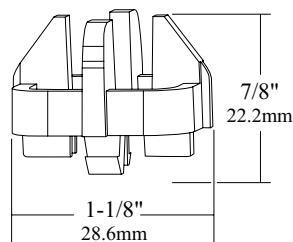
30" Balusters (36" Rail Height)

"A" - 34-1/8" 866.8mm
 "B" - 29-1/2" 749.3mm

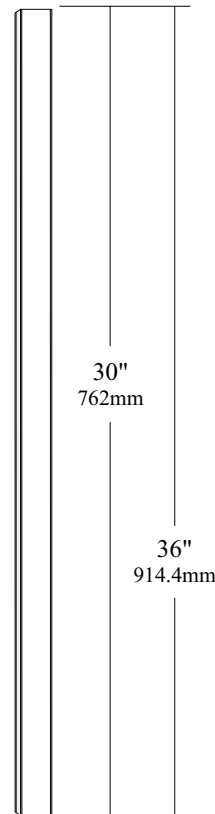
36" Balusters (42" Rail Height)

"A" - 40-1/8" 1019.2mm
 "B" - 35-1/2" 901.7mm

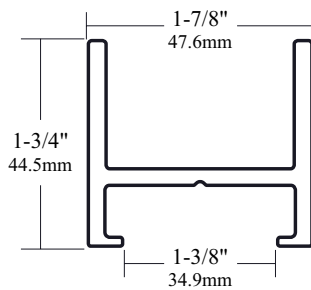
Baluster Connector Clip
 (Material - PVC)



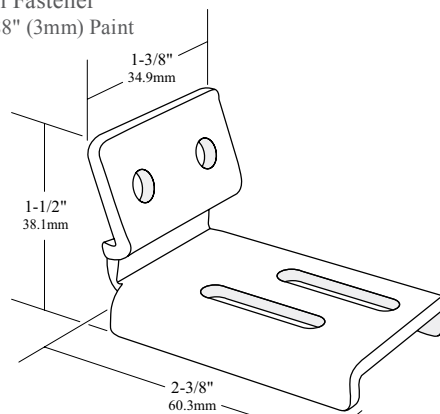
1-1/4" x 1-1/4"
 Composite Baluster



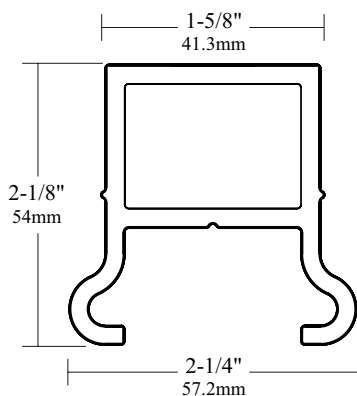
Baluster Retainer



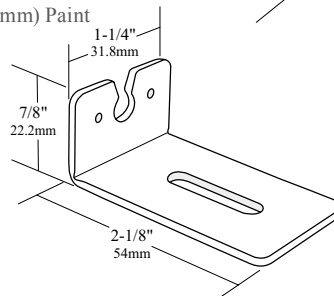
Top Rail Fastener
 (SS 304) - .188" (3mm) Paint



Bottom Rail Profile



Bottom Rail Fastener
 (SS 304) - .188" (3mm) Paint



DOCUMENT TITLE: Composite Baluster Composite Railing Kit

This drawing is the property of Fairway Vinyl Systems. Any hard copy of this drawing may not be current. This document and/or images contained within may not be reproduced in publication format without express written consent of Fairway Vinyl Systems. Drawings may not be to scale.

FX2 COMPOSITE RAILING

UOM inch/mm	REF#	REV v1.0
SCALE	SHEET# 1 of 1	DRAWN BY A.J.H.
		DATE 1/21/10

Dimensions and tolerances contained on drawings and figures are for reference only and may not encompass total allowable and approved dimensional variations.